



ATLAS TURNİKE SİSTEMLERİ



USER MANUAL



ATLAS
TURNİKE SİSTEMLERİ

ATLAS TURNİKE SİSTEMLERİ SAN. TİC. LTD. ŞTİ.
Dođan Araslı Bulvarı, Saadetdere Mah. 6. Sk. No9/B PK 34513 Esenyurt / İstanbul / Türkiye
www.atlasturnike.com/en

Manufacturing Company Information



Address

Güzelyurt Mah. Ertuğrul Gazi Cad. No:15/B-Esenyurt \ Istanbul-

Tel: 0212 428 13 54 Fax: 0212 428 13 58

Web: www.atlasturnike.com/en

Mail: info@atlasturnike.com , sales@atlasturnike.com



BUFFALO SERIES-Full Height Turstile



1. General Specifications;

Chassis: Powder painted 1.5mm mild steel quality. The pedestals are made of 10mm steel.

Operation: Adjustable in both directions, manual driving.

Functions: Transition information (A-B 5VDC and B-A 5VDC). Transition time can be adjusted. **Memory mode.** Audible warning. Adjustable transition direction.

Emergency situation: Fire alarm system turns the arms to idle(NC)

Power Supply: 100 – 230 VAC, 47-60 Hz

Power Consumption: 3,7W in transitions, 4W on hold

Operating Temperature: -10 C / +70 C Optional: With heater -30°

Passage Speed: Max. 20 People / Minutes + -

Passage Width: 56cm

Led Display: Standard in both directions

Weight: ~ 150 kg

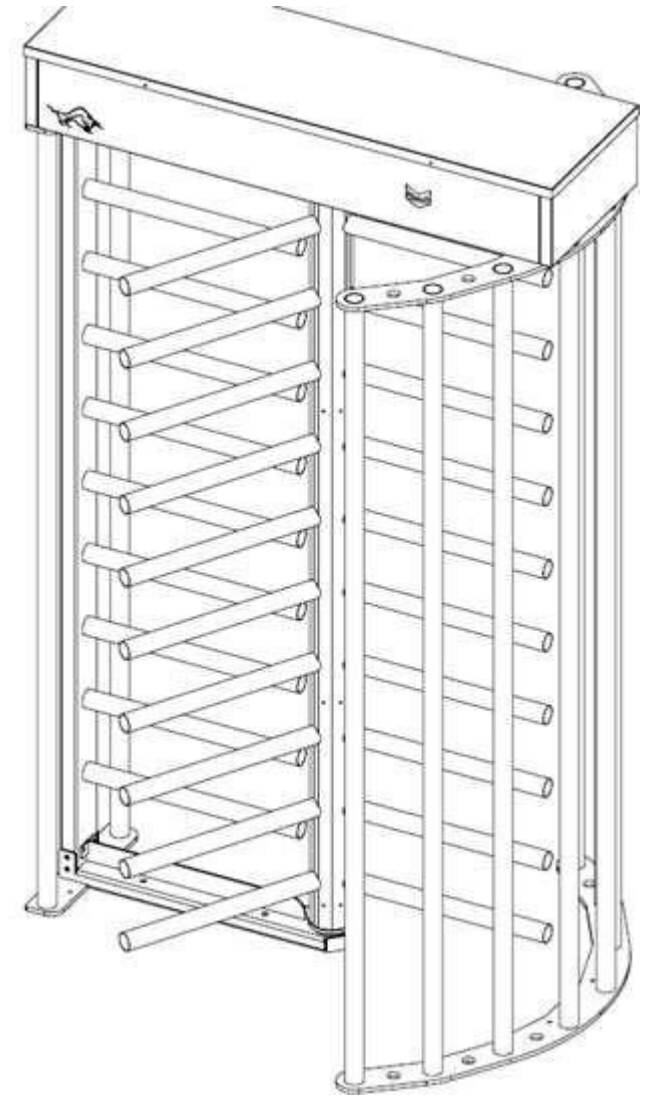
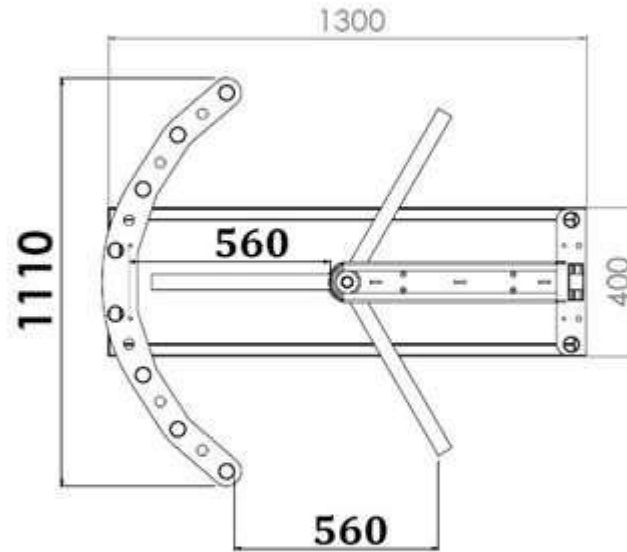
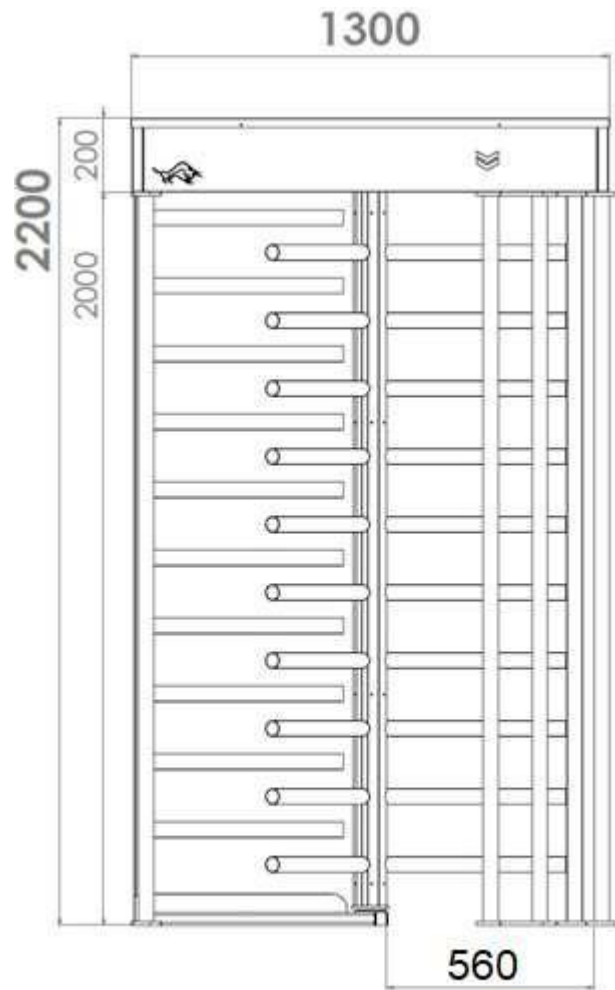
Security Level : High Security

Areas of Use : Suitable for indoor and outdoor use.

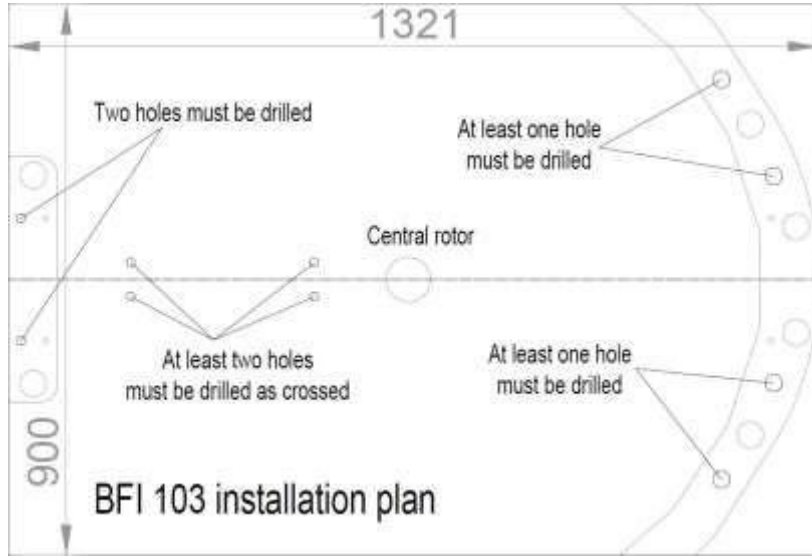
Options and Accessories: Double body can be produced.

Push Button, Remote Control, Transition path Led spot lighting, Counter, Thermostat heater

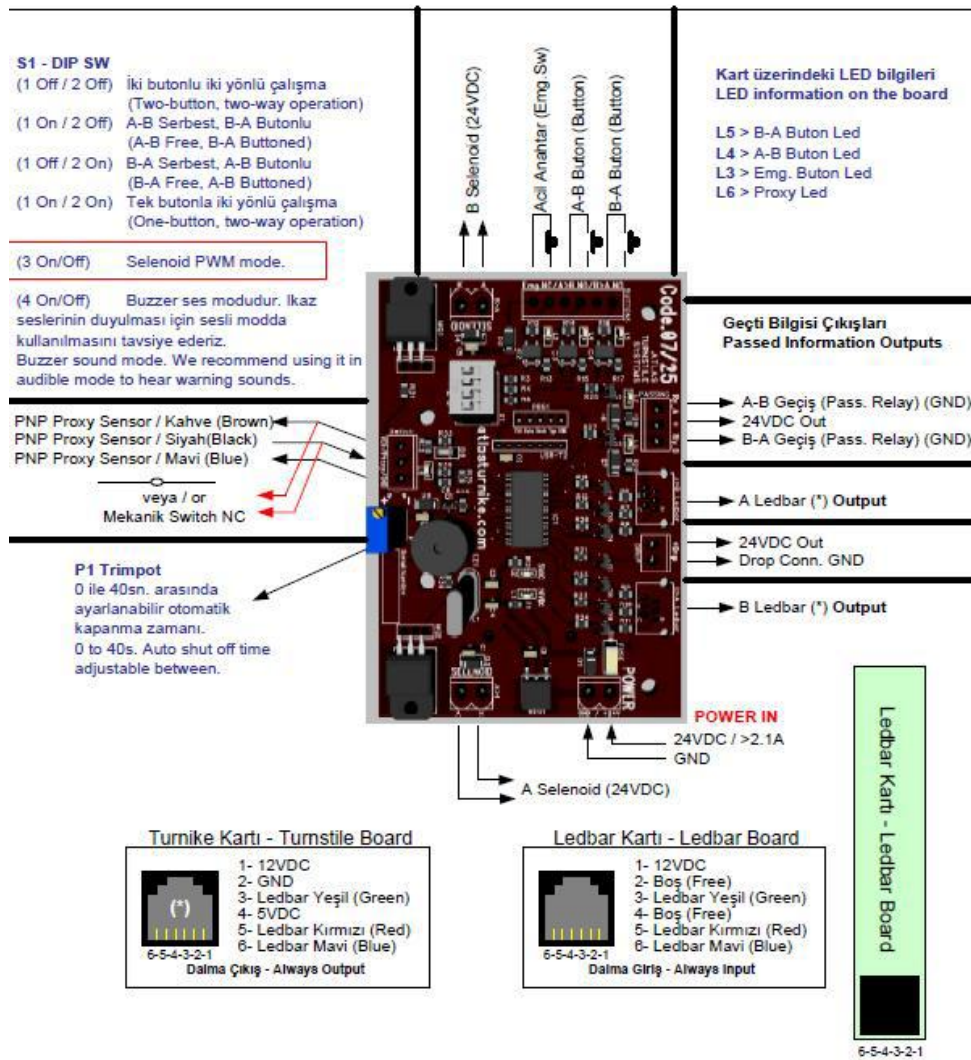
2. Technical Drawing



3. Sample Layout and Wiring Details



4. Board Card Connection and electrical Diagram



NOT: DIP Switch fabrika ayarlarında kullanılmalıdır. Kesinlikle DEĞİŞTİRİLMEMELİDİR.
NOT: DIP Switch should be used in factory settings. It should NEVER be CHANGED.

5. Mechanism

